

1006 Series Electric Strike



Experience a safer
and more open world

The 1006 series is the strongest and most versatile electric strike available. The dual interlocking plunger design and heavy duty stainless steel construction, enables it to exceed every standard developed for electric strikes.

Unsurpassed Flexibility

- Accommodates every cylindrical and mortise locksets with or without a 1" deadbolt
- Available as a separate strike body and interchangeable faceplate or a Complete Pac
- Non-handed, dual voltage
- Available in fail safe or fail secure (standard)

Tested for Durability

- UL 10C, 3 hour fire-rated
- ANSI A250.13-2003 windstorm listed
- UL 1034 burglary-resistant listed
- Suitable for outdoor use

Robust Design

- ANSI/BHMA A156.31, Grade 1
- Endurance 1 million cycles
- Tamper resistant, stainless steel construction
- Dynamic strength 350 ft-lbs (fail secure)



Burglary
Rated



SecuriCare
Warranty



Mortise Locks
with Deadbolt



Mortise Locks
without
Deadbolt



Cylindrical
Locksets



SecuriCare
Warranty



Dual Voltage
12/24



Fire Rated



Windstorm
Resistant



Outdoor
Rated



Burglary
Rated

Features

- Stainless steel construction
- Tamper resistant
- Static strength 2,500 lbs. (fail secure)
- Dynamic strength 350 ft-lbs. (fail secure)
- Endurance 1,000,000 cycles
- Fail secure (standard)
- Non-handed
- Accommodates up to 1" deadbolt
- Plug-in connector
- Full keeper shims for horizontal adjustment
- Trim enhancer
- Dual voltage 12 or 24 VDC continuous duty
- Internally mounted solenoid
- Suitable for Outdoor Use

Certifications

- ASTM E152 Fire Door Compliant
- ANSI/ASTM E330
- ANSI/BHMA A156.31, Grade 1
- ANSI/SDI 250.13 Windstorm Resistant
- NFPA-252 fire door Compliant
- RoHS Compliant
- Florida Building Code Approved TAS 201, 202, 203 (old)
- Environmental Product Declaration (EPD)
- Health Product Declaration (HPD)
- UL 1034 Burglary-Resistant Listed
- UL 10C Fire-Rated, 1-1/2 Hour Double Door [Fail Secure only]
- UL 10C Fire-Rated, 3 Hour Single Door [Fail Secure Only]
- UL 294 Listed

Specifications

Frame Application

- Metal
- Wood

Electrical

- .24 Amps at 12 VDC/VAC
- .12 Amps at 24 VDC/VAC
- DC continuous duty/AC intermittent duty only

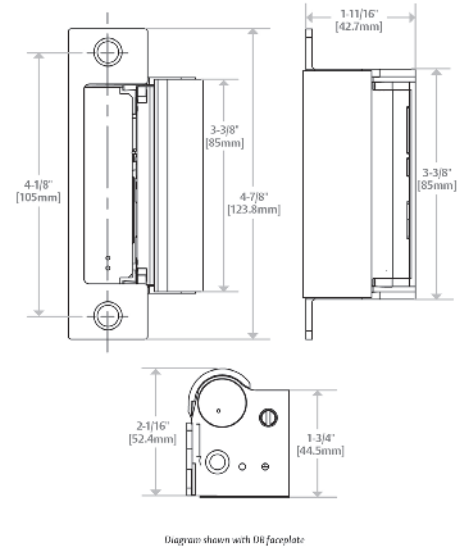
Options

- Fail Safe
- LBM - Latchbolt monitor
- LBSM - Latchbolt strike monitor
- 27 interchangeable faceplate options (monitor switches may not work with all faceplate options)

Accessories

- 157 Torx® screws
- 1000-102 Rain guard
- 1006-103 Full Keeper Shims
- 1000-104 Lip Extension Trim Adapter
- 1006-105 Trim Enhancer
- 1000-110 Replacement Strike Plate
- 1000-130 KD Filler Plate
- 150 Strike Latch Guard
- HES-CUT-MTK Metal Template Kit
- 2005M3 SMART Pac® III

Dimensions



How to Order

SERIES	MODEL	FAIL SECURE / SAFE	FINISH*	OPTION (S)
1006	—	— F	— 630	— LBM
1006 Universal Electric Strike	(blank) Electric strike body only, faceplates ordered separately	(blank) Fail Secure (standard)	605 Bright Brass	(blank) No Monitor
	CS* Complete Electric Strike; includes the SMART Pac III and J, KD, KM, HM, ND faceplates and brackets	F Fail Safe	606 Satin Brass	LBM Latchbolt Monitor**
	CLB* Complete Electric Strike for latchbolt locks; includes J, K, KD and KM faceplates		612 Satin Bronze	LBSM Latchbolt Strike Monitor**
	CDB* Complete Electric Strike for Deadbolt Locks; includes the ND and HM faceplates		613 Bronze Toned	
	CAS* Complete Electric Strike for Deadbolt Locks; includes the N, ND and NM faceplates		629 Bright Stainless Steel	
			630 Satin Stainless Steel	
			BLK Black	

*Complete Pacs are only available in the 630 finish. ** Not available with CS, CDB, or CAS



800 626 7590 | hesinnovations.com
 10027 S. 51st Street, Ste. 102
 Phoenix, AZ 85044 USA

Printed in the U.S.A. Patent pending and/or patent www.assaabloydss.com/patents
 Copyright © 2022, Hanchett Entry Systems, Inc., an ASSA ABLOY Group company.
 All rights reserved. Reproduction in whole or in part without the express written permission of Hanchett Entry Systems, Inc. is prohibited. HES-97-0922