

# 1006 Series Electric Strike



Experience a safer  
and more open world

The 1006 series is the strongest and most versatile electric strike available. The dual interlocking plunger design and heavy duty stainless steel construction, enables it to exceed every standard developed for electric strikes.

## Unsurpassed Flexibility

- Accommodates every cylindrical and mortise locksets with or without a 1" deadbolt
- Available as a separate strike body and interchangeable faceplate or a Complete Pac
- Non-handed, dual voltage
- Available in fail safe or fail secure (standard)

## Tested for Durability

- UL 10C, 3 hour fire-rated
- ANSI A250.13-2003 windstorm listed
- UL 1034 burglary-resistant listed
- Suitable for outdoor use

## Robust Design

- ANSI/BHMA A156.31, Grade 1
- Endurance 1 million cycles
- Tamper resistant, stainless steel construction
- Dynamic strength 350 ft-lbs (fail secure)



Burglary  
Rated



SecuriCare  
Warranty



Mortise Locks  
with Deadbolt



Mortise Locks  
without  
Deadbolt



Cylindrical  
Locksets



SecuriCare  
Warranty



Dual Voltage  
12/24



Fire Rated



Windstorm  
Resistant



Outdoor  
Rated



Burglary  
Rated

## Features

- Stainless steel construction
- Tamper resistant
- Static strength 2,500 lbs. (fail secure)
- Dynamic strength 350 ft-lbs. (fail secure)
- Endurance 1,000,000 cycles
- Fail secure (standard)
- Non-handed
- Accommodates up to 1" deadbolt
- Plug-in connector
- Full keeper shims for horizontal adjustment
- Trim enhancer
- Dual voltage 12 or 24 VDC continuous duty
- Internally mounted solenoid
- Suitable for Outdoor Use

## Certifications

- ASTM E152 Fire Door Compliant
- ANSI/ASTM E330
- ANSI/BHMA A156.31, Grade 1
- ANSI/SDI 250.13 Windstorm Resistant
- NFPA-252 fire door Compliant
- RoHS Compliant
- Florida Building Code Approved TAS 201, 202, 203 (old)
- Environmental Product Declaration (EPD)
- Health Product Declaration (HPD)
- UL 1034 Burglary-Resistant Listed
- UL 10C Fire-Rated, 1-1/2 Hour Double Door [Fail Secure only]
- UL 10C Fire-Rated, 3 Hour Single Door [Fail Secure Only]
- UL 294 Listed

## Specifications

### Frame Application

- Metal
- Wood

### Electrical

- .24 Amps at 12 VDC/VAC
- .12 Amps at 24 VDC/VAC
- DC continuous duty/AC intermittent duty only

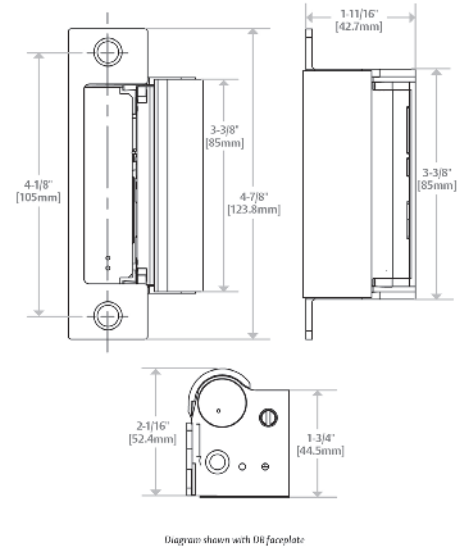
## Options

- Fail Safe
- LBM - Latchbolt monitor
- LBSM - Latchbolt strike monitor
- 27 interchangeable faceplate options (monitor switches may not work with all faceplate options)

## Accessories

- 157 Torx® screws
- 1000-102 Rain guard
- 1006-103 Full Keeper Shims
- 1000-104 Lip Extension Trim Adapter
- 1006-105 Trim Enhancer
- 1000-110 Replacement Strike Plate
- 1000-130 KD Filler Plate
- 150 Strike Latch Guard
- HES-CUT-MTK Metal Template Kit
- 2005M3 SMART Pac® III

## Dimensions



## How to Order

SERIES	MODEL	FAIL SECURE / SAFE	FINISH*	OPTION (S)
<b>1006</b>	—	— F	— 630	— LBM
<b>1006</b> Universal Electric Strike	<b>(blank)</b> Electric strike body only, faceplates ordered separately	<b>(blank)</b> Fail Secure (standard)	<b>605</b> Bright Brass	<b>(blank)</b> No Monitor
	<b>CS*</b> Complete Electric Strike; includes the SMART Pac III and J, KD, KM, HM, ND faceplates and brackets	<b>F</b> Fail Safe	<b>606</b> Satin Brass	<b>LBM</b> Latchbolt Monitor**
	<b>CLB*</b> Complete Electric Strike for latchbolt locks; includes J, K, KD and KM faceplates		<b>612</b> Satin Bronze	<b>LBSM</b> Latchbolt Strike Monitor**
	<b>CDB*</b> Complete Electric Strike for Deadbolt Locks; includes the ND and HM faceplates		<b>613</b> Bronze Toned	
	<b>CAS*</b> Complete Electric Strike for Deadbolt Locks; includes the N, ND and NM faceplates		<b>629</b> Bright Stainless Steel	
			<b>630</b> Satin Stainless Steel	
			<b>BLK</b> Black	

\*Complete Pacs are only available in the 630 finish. \*\* Not available with CS, CDB, or CAS



800 626 7590 | [hesinnovations.com](http://hesinnovations.com)  
10027 S. 51<sup>st</sup> Street, Ste. 102  
Phoenix, AZ 85044 USA

Printed in the U.S.A. Patent pending and/or patent [www.assaabloydss.com/patents](http://www.assaabloydss.com/patents)  
Copyright © 2022, Hanchett Entry Systems, Inc., an ASSA ABLOY Group company.  
All rights reserved. Reproduction in whole or in part without the express written permission of Hanchett Entry Systems, Inc. is prohibited. HES-97-0922